

ELECTROLUX OUTDOOR PRODUCTS

PNC	Type/Prefix/nd	Model	Brand
953900007	07	HC 60	McCulloch
953900006	07	HC 70	McCulloch
953900533	07	PH 61	Partner

Number of Pages 1 of 5

Factory: IIQ - Valmadrera	Product Group: OP 94
Publication Number: EIPL2005_VP0505001	Petrol Portable
Publication Date: 18/05/05	Sub Group 9435


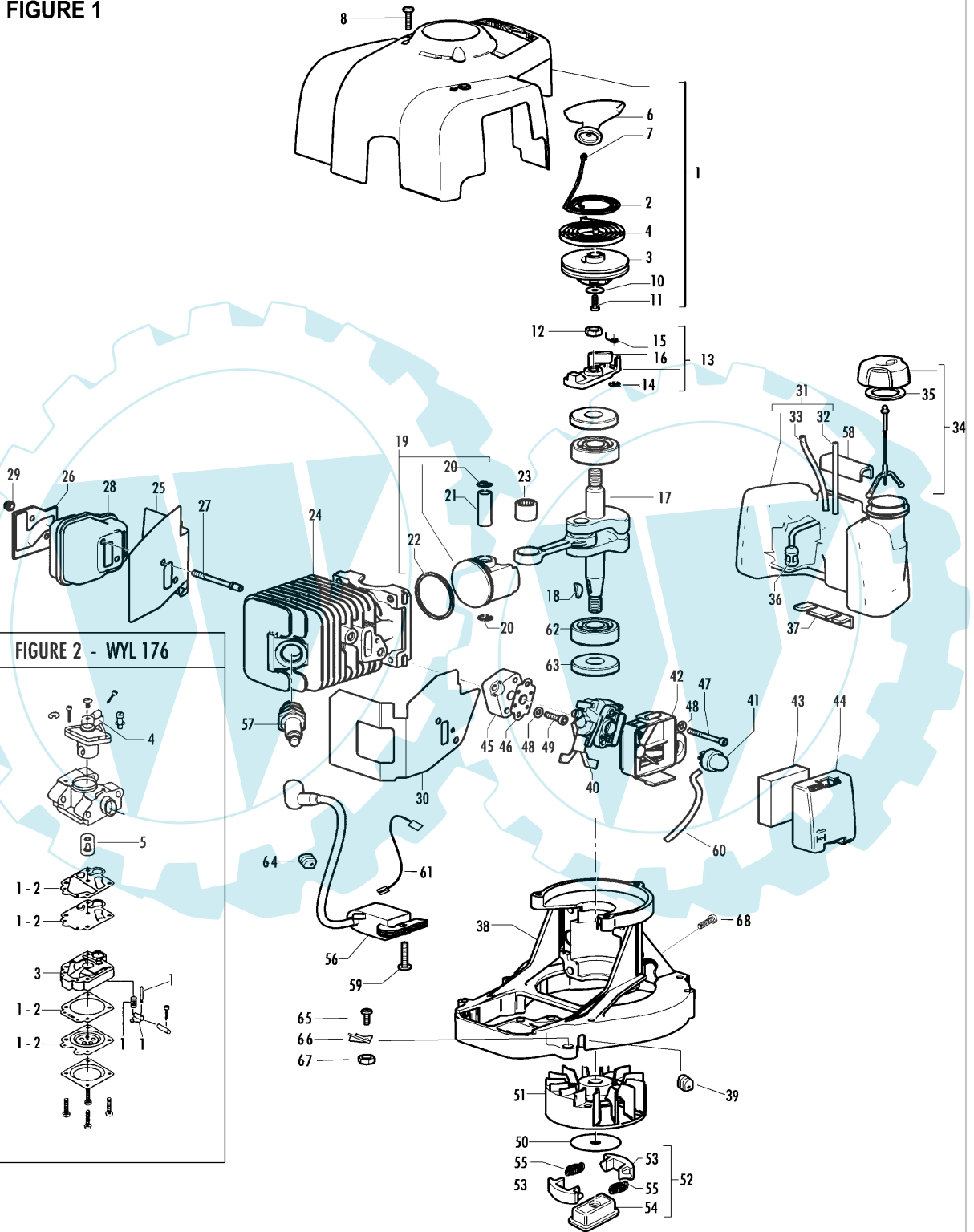
 **The Electrolux Group. The world's No.1 choice.**

FIGURE 1



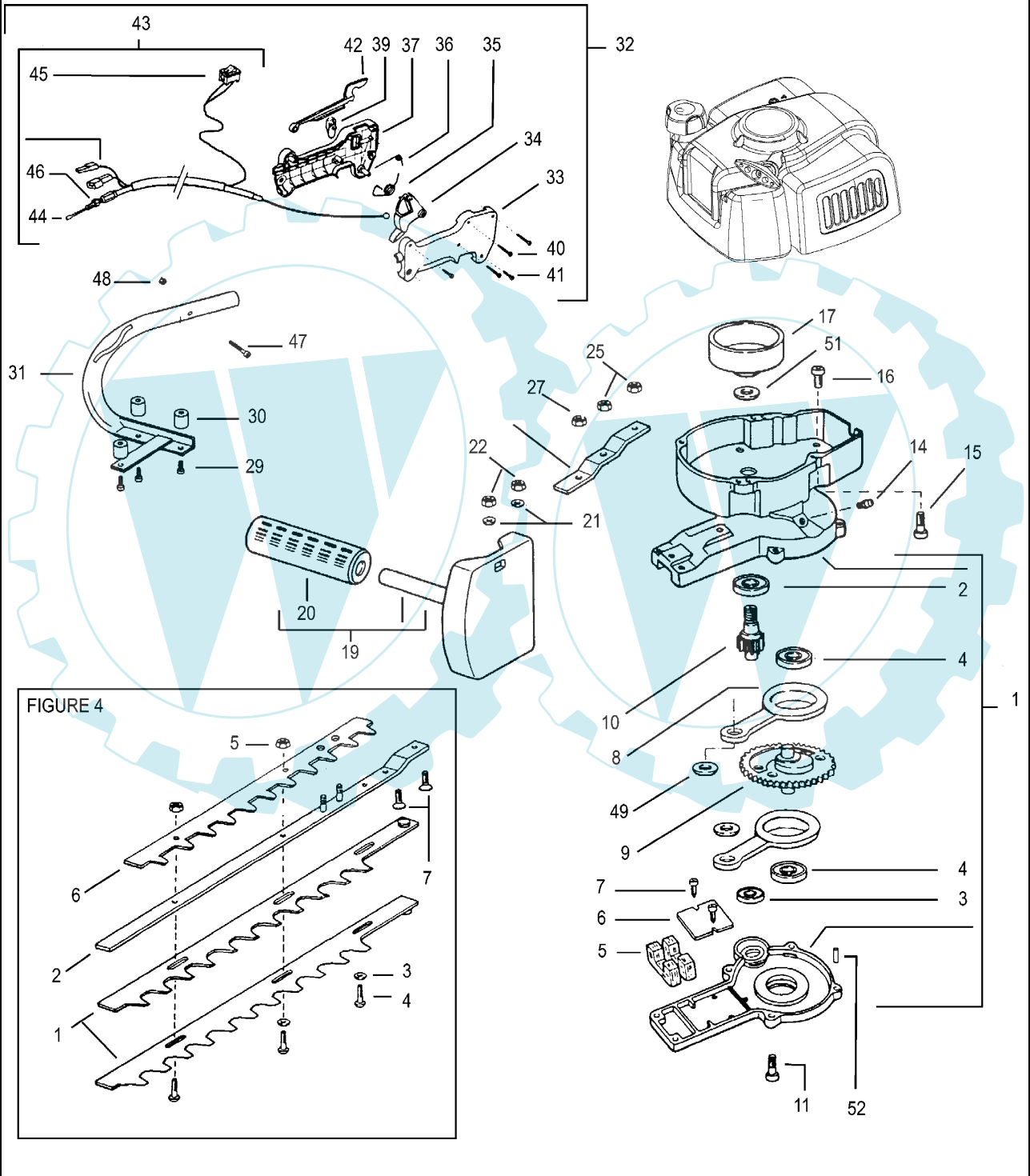
Item	P/N McC	P/N ELX	Qty	DESCRIPTION
FIGURE 1				
C 1	242725	538242725	1	starter ass'y
A 2	• 241746	538241746	1	rope
B 3	• 241620	538241620	1	starter pulley
B 4	• 241619	538241619	1	spring
6	• 241778	538241778	1	starter handle
7	• 235612	538235612	1	washer
8	• 241963	538241963	3	screw 4x22
10	• 241703	538241703	1	washer
11	• 241077	538241077	1	screw 4x14
12	241624	538241624	1	M8 nut
13	241784	538241784	1	starter pawl ass'y
14	• 111088	538111088	1	snap ring
15	• 241782	538241782	1	spring
16	• 241781	538241781	1	pawl
17	242003	538242003	1	crank shaft ass'y
C 18	227631	538227631	1	key
C 19	248177	538248177	1	piston kit
20	• 235008	538235008	2	snap ring
21	• 241735	538241735	1	piston pin
B 22	• 240002	538240002	1	piston ring
C 23	235742	538235742	1	needle bearing
C 24	242803	538242803	1	cylinder
C 25	242517	538242517	1	gasket
26	322231	538322231	1	outlet plate
27	242037	538242037	2	stud bolt
28	242131	538242131	1	muffler
29	235642	538235642	2	M5 nut
B 30	242516	538242516	1	Gasket
C 31	242492	538242492	1	fuel tank ass'y
B 32	• 229789	538229789	1	oil hose
B 33	• 242491	538242491	1	fuel hose
34	242484	538242484	1	fuel cap assy
35	• 236564	538236564	1	gasket
A 36	242505	538242505	1	pick up
37	242038	538242038	1	fuel tank grommet (lower)
38	242802	538242802	1	crankcase
39	241607	538241607	1	wires grommet
40	FIGURE 2			
41	224242-01	538022424	1	primer
42	242420	538242420	1	air filter box
B 43	242425	538242425	1	air filter
C 44	242482	538242482	1	air filter cover
C 45	242287	538242287	1	carb. spacer
A 46	242325	538242325	1	gasket
47	235808	538235808	2	screw M5x50
48	235248	538235248	4	washer
49	235806	538235806	2	screw 5x20
50	241604	538241604	1	clutch dust shield
51	241796	538241796	1	flywheel

Item	P/N McC	P/N ELX	Qty	DESCRIPTION
B 52	241793	538241793	1	clutch assy
53	• 241743	538241743	2	clutch shoe
54	• 241789	538241789	1	clutch hub
A 55	• 241794	538241794	2	spring
C 56	241749	538241749	1	ignition coil ass'y
A 57	92879	538092879	1	spark RDJ8J
58	242039	538242039	1	fuel tank grommet (upper)
59	235806	538235806	1	screw
60	242489	538242489	1	primer hose
61	241606	538241606	1	ignition coil-switch wire
C 62	241594	538241594	2	ball bearing
C 63	242994	538242994	2	seal
64	236322	538236322	1	wire protection
65	236527	538236527	1	screw M6x16
66	242710	538242710	1	gas cable support
67	235912	538235912	1	nut M6
68	235803	538235803	4	screw M5x25

FIGURE 2				
C -	242438	538242438	1	carburettor WYL 176
1	• 247955	538247955	1	repair kit K20 WYJ
2	• 247956	538247956	1	gasket kit D20 WYJ
3	• 249184	538249184	1	body pump 5-2760
4	• 249185	538249185	1	valve 34-811
5	• 249154	538249154	1	jet 0,41

A=ALTA ROTAZIONE	A=HIGH MOVING	A=HAUTE DEMANDE	A=GROBE NACHFRAGE
B=MEDIA ROTAZIONE	B=MEDIUM MOVING	B=MOYENNE DEMANDE	B=MITTELMAESSIGE
C=ALTA ROTAZIONE	C=SLOW MOVING	C=BASSE DEMANDE	C=WENIGE NACHFRAGE
NUOVI CODICI	NEW P. NUMBERS	NOUVELLES REFERENCES	NEU CODEX

FIGURE 3



Item	P/N McC	P/N ELX	Qty	DESCRIPTION
FIGURE 3				
1	248114	538248114	1	gear box ass'y
2	• 235897	538235897	1	ball bearing 6000-2RS1
3	• 235914	538235914	1	ball bearing 608-2Z
4	• 228958	538228958	2	ball bearing 6000-2Z
5	• 236365	538236365	2	pin
C 6	228921	538228921	2	dust shield
7	228891	538228891	1	plate
8	228945	538228945	2	screw M3x5
C 9	241123	538241123	2	connecting rod
10	228804	538228804	1	eccentric gear
11	228806	538228806	1	pinion
12	229077	538229077	6	screw M5x18
14	228861	538228861	1	cap
15	235801	538235801	4	screw M4x16
16	235911	538235911	3	screw M6x12
C 17	242142	538242142	1	clutch drum
18	241023	538241023	1	blade support
19	229080	538229080	1	front handle
20	• 235895	538235895	1	handle
21	236607	538236607	2	washer D.6x12x1,6
22	228926	538228926	2	nut M6
25	229208	538229208	2	nut M5
27	228926	538228926	1	nut M6
29	236512	538236512	3	screw M6x8
C 30	235987	538235987	3	grommet
31	228897	538228897	1	rear handle
32	240904	538240904	1	Trigger box ass'y
33	• 241293	538241293	1	trigger box- right half
34	• 241295	538241295	1	throttle trigger
35	• 240091	538240091	1	return spring
37	• 241294	538241294	1	trigger box- left half
39	• 229824	538229824	1	cap
40	• 240833	538240833	3	screw 3x20
41	• 240618	538240618	2	screw 3 x16
42	• 229820	538229820	1	safety lever
C 43	• 240903	538240903	1	wires ass'y
C 44	• 240900	538240900	1	cable
C 45	• 236394	538236394	1	switch
46	• 229207	538229207	2	nut
47	235804	538235804	1	screw M5x30
48	235216	538235216	1	nut M5
49	228728	538228728	2	washer D.12x20x0.6
51	235164	538235164	1	washer D.6x18x1.5

Item	P/N McC	P/N ELX	Qty	DESCRIPTION
FIGURE 4 HC 60 / PH 61				
1	228917	538228917	1	blades
2	228875	538228875	1	blade guide
3	236934	538236934	4	washer D.6x18x1,5
4	228925	538228925	4	screw M6x20
5	228926	538228926	4	self locking nut M6
6	241013	538241013	1	safety blade
7	228924	538228924	2	screw M5x20

Item	P/N McC	P/N ELX	Qty	DESCRIPTION
FIGURE 4 HC 70				
1	228918	538228918	1	blades
2	228874	538228874	1	blade guide
3	236934	538236934	5	washer D.6x18x1,5
4	228925	538228925	5	screw M6x20
5	228926	538228926	5	self locking nut M6
6	241013	538241013	1	safety blade
7	228924	538228924	2	screw M5x20

A=ALTA ROTAZIONE
B=MEDIA ROTAZIONE
C=ALTA ROTAZIONE
NUOVI CODICI

A=HIGH MOVING
B=MEDIUM MOVING
C=SLOW MOVING
NEW P. NUMBERS

A=HAUTE DEMANDE
B=MOYENNE DEMANDE
C=BASSE DEMANDE
NOUVELLES REFERENCES

A=GROBE NACHFRAGE
B=MITTELMAESSIGE
C=WENIGE NACHFRAGE
NEU CODEX